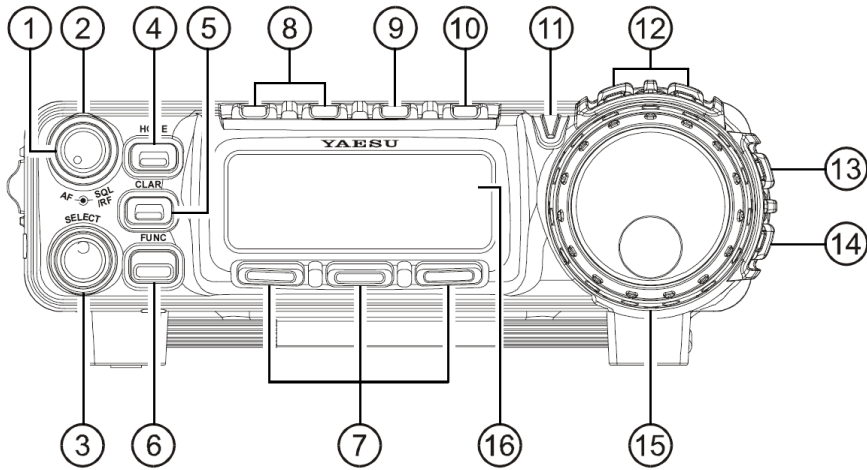


Yaesu FT-857D Quick Reference



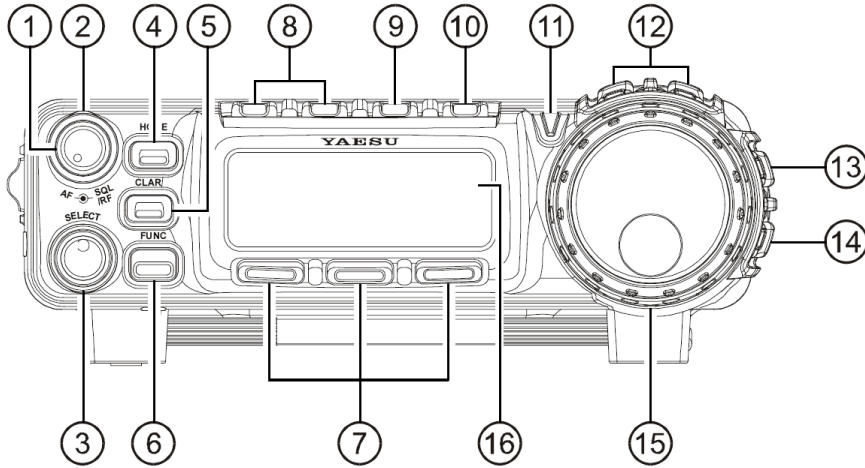
1	Volume	9	DSP Menu
2	RF Gain	10	Fast / Hold for Power
3	Select Knob (Push to tune Mhz)	11	TX / Busy
4	Home	12	Change Band
5	Clar / IF Shift	13	VFO / Memory
6	FunctionMenu / Hold for Menu	14	LOCK
7	Menu Keys	15	Main Dial (select frequency or menu option)
8	Mode (LSB <=> USB <=> CW <=> CWR <=> AM <=> FM <=> DIG <=> PKT <=> LSB)	16	Main Display

Front Panel Menus

MFa	A/B	A=B	SPL	MFj	SPOT	BK	KEY
MFb	MW	SKIP	TAG	MFk	TUNE	DWN	UP
MFc	STO	RCL	PROC	MFi	NB	AGC	AGC SPD
MFd	RPT	REV	VOX	MFm	IPO	ATT	NAR
MFe	TON/ENC	---/DEC	TDCH	MFn	CFIL	FIL-1	FIL-2
MFf	ARTS	SRCH	PMS	MFo	PLY1	PLY2	PLY3
MFg	SCN	PRI	DW	MFp	DNR	DNF	DBF
MFh	SCOP	WID	STEP	MFq	UPRG1	UPRG2	UPRG3
MFi	MTR		DISP				

No Menu Item	Function	Available Values	Default	No Menu Item	Function	Available Values	Default
001 EXT MENU	Enables/Disables the extended Menu Mode.	ON/OFF	OFF	046 DSP HPF CUTOFF	Adjusts the low-cut characteristics of the DSP HPF filter.	100 ~ 1000 Hz	100 Hz
002 144MHz ARS	Activates/deactivates the Automatic Repeater Shift feature when operating on the 144 MHz band.	ON/OFF	1	047 DSP LPF CUTOFF	Adjusts the high-cut characteristics of the DSP LPF filter.	1000 ~ 6000 Hz	6000 Hz
003 430MHz ARS	Activates/deactivates the Automatic Repeater Shift feature when operating on the 430 MHz band.	ON/OFF	1	048 DSP MIC EQ	Sets the DSP microphone equalization pattern.	OFF/LPF/HPF/BOT H	OFF
004 AM&FM DIAL	Enabling/disabling the DIAL knob on the AM and FM modes.	ENABLE/DISABLE	DISABLE	049 DSP NR LEVEL	Setting of the degree of DSP Noise Reduction.	1 ~ 16	8
005 AM MIC GAIN	Adjusts the microphone gain level for the AM mode.	0 ~ 100	50	050 EMERGENCY	Enables Tx/Rx operation on the Alaska Emergency Channel, 5167.5 kHz.	ON/OFF	OFF
006 AM STEP	Selects the tuning steps for the SELECT knob on the AM mode.	2.5/5/9/10/12.5/25 kHz	1	051 FM MIC GAIN	Adjusts the microphone gain level for the FM mode.	0 ~ 100	50
007 APO TIME	Selects the Auto Power Off time (time before power goes off).	OFF/1h ~ 6h	OFF	052 FM STEP	Selects the tuning steps for the SELECT knob in the FM mode.	5/6.25/10/12.5/15/20/25/50 kHz	2
008 ARTS BEEP	Selects the ARTS beep mode.	OFF/RANGE/ALL	RANGE	053 HOME->VFO	Enables/disables the moving of HOME channel to the VFO.	ON/OFF	ON
009 ARTS ID	Enables/disables the CW identifier during ARTS operation.	ON/OFF	OFF	054 LOCK MODE	Selects the operation of the front panel's LOCK key.	DIAL/FREQ/PANE L/ALL	DIAL
010 ARTS IDW	Stores your callign into the CW identifier.	-	YAESU	055 MEM GROUP	Enables/disables the memory grouping feature.	ON/OFF	OFF
011 BEACON TEXT 1	Stores the message for the Beacon.	-	-	056 MEM TAG	Stores Alpha-Numeric "Tags" for the memory channels.	-	-
012 BEACON TIME	Selects the interval time (between message and message).	OFF/1 sec ~ 255sec	OFF	057 MEM/VFO DIAL MODE	Selects the function which is engaged when you press the SELECT knob.	CW SIDETONE, CW SPEED, MHZ/MEM GRP, MIC GAIN, NB LEVEL, RF POWER, STEP	MHz/MEM GRP
013 BEEP TONE	Selects the beep frequency.	440/880/1760 Hz	880Hz	058 MIC SCAN	Enables/disables scanning access via the microphone's [UP]/[DWN] keys.	ON/OFF	ON
014 BEEP VOL	Selects the beep volume level.	0 ~ 100	50	059 MIC SEL	The choice of the equipment which connects to the MC jack.	NOR/RMT/CAT	NOR
015 CAR LSB R	Sets the Rx Carrier Point for LSB.	-300 ~ +300 Hz	0 Hz	060 MTR ARX SEL	Select the analog meter display configuration while the transceiver is receiving.	SIG, CTR, VLT, N/A, FS, OFF	SIG
016 CAR LSB T	Sets the Tx Carrier Point for LSB.	-300 ~ +300 Hz	0 Hz	061 MTR ATX SEL	Selects the analog meter display configuration while the transceiver is transmitting.	PWR, ALC, MOD, SWR, VLT, N/A, OFF	PWR
017 CAR USB R	Sets the Rx Carrier Point for USB.	-300 ~ +300 Hz	0 Hz	062 MTR PEAK HOLD	Enabling/disabling of the "peak hold" function of the meter.	ON/OFF	ON
018 CAR USB T	Sets the Tx Carrier Point for USB.	-300 ~ +300 Hz	0 Hz	063 NB LEVEL	Setting of the blanking level for the IF Noise Blanker.	0 ~ 100	50
019 CAT RATE	Sets the transceiver's circuitry for the CAT baud rate to be used.	4800 bps/9600 bps/38400 bps	4800bps	064 OP FILTER 1	Not available at this time.	-	-
020 CAT/LIN/TUN	Selects the device which is connected to the CAT/LINEAR jack on the rear panel.	CAT, LINEAR/TUNER	CAT	065 PGA	Programming the [A] key (in the Operating Function Row "q" (MFq)) function.	All Multi Function, All Menu Item, TCALL, ATC and USER.	MONI
021 CLAR DIAL SEL	Defines the "control" knob to be used for setting of the clarifier offset frequency.	SEL, MAIN	SEL	066 PGB	Programming the [B] key (in the Operating Function Row "q" (MFq)) function.		Q, SPL
022 CW AUTO MODE	Selects whether the KEY jack shall be "Enabled" or "Disabled" while using the SSB/FM modes.	ON/OFF	OFF	067 PGC	Programming the [C] key (in the Operating Function Row "q" (MFq)) function.		ATC
023 CW BFO	Sets the CW carrier oscillator injection side on the CW mode.	USB/LSB/AUTO	USB	068 PGACC	Programming the optional MH-59ABJ microphone's [P2] button assignment.		MONI
024 CW DELAY	Sets the receiver recovery time during pseudo-VOX CW semi-break-in operation.	FULL/30 ~ 3000 msec	250 msec	069 PGP1	Programming the optional MH-59ABJ microphone's [P1] button assignment.		Q, SPL
025 CW KEY REV	Sets the keyer paddle's wiring configuration.	NORMAL/REVERSES	NORMAL	070 PGP2	Programming the optional MH-59ABJ microphone's [P2] button assignment.		TCALL
026 CW PADDLE	Enables/disables CW keying by the microphone's [UP]/[DWN] keys.	ELEKEY/MCKEY	ELEKEY	071 PKT 1200	Adjusts the audio input level from the TNC during 1200 bps Packet operation.	0 ~ 100	50
027 CW PITCH	Setting of the pitch of the CW sidetone, BFO offset, and CW filter center frequencies.	400 ~ 800 Hz	700 Hz	072 PKT 9600	Adjusts the audio input level from the TNC during 9600 bps Packet operation.	0 ~ 100	50
028 CW QSK	Selects the time delay between when the PTT is keyed and the carrier is transmitted during QSK operation when using the internal keyer.	10/15/20/25/50 ms	10 ms	073 PKT RATE	Sets the transceiver's circuitry for the Packet baud rate to be used.	1200/9600 (bps)	1200 bps
029 CW SIDETONE	Setting of the CW sidetone volume level.	0 ~ 100	50	074 PROC LEVEL	Sets the compression level for the AF speech processor in the SSB/AM modes.	0 ~ 100	50
030 CW SPEED	Sets the sending speed for the built-in Electronic keyer.	4 ~ 60 wpm (1wpm/step)/20 ~ 300 cpm (5cpm/step)	12 wpm (60 cpm)	075 RF POWER SET	Setting of the maximum power level for the current band.	5 ~ 100 2 ~ 100 (UHF)	2
031 CW TRAINING	Sends random Morse Code five-character groups via the sidetone.	N, A, AN	N	076 RPT SHIFT	Sets the magnitude of the repeater shift.	0.00 ~ 99.99 (MHz)	2
032 CW WEIGHT	Sets the Dot/Dash ratio for the built-in electronic keyer.	1:2.5 ~ 1:4.5	01:03.00	077 SCAN MODE	Selects the desired Scan-Resume mode.	TIME/BUSY/STOP	TIME
033 DCS CODE	Setting of the DCS code.	104 Standard DCS codes	23	078 SCAN RESUME	Sets the delay time for scan-resume resumption.	1 ~ 10 (sec)	5 sec
034 DCS INV	Selects "Normal" or "Inverted" DCS coding.	Tn-Rn/Tn-Riv/Tiv-Rn/Tiv-Riv	Tn-Rn	079 SPLIT TONE	Enables/disables split CTCSS/DCS coding.	ON/OFF	OFF
035 DIAL STEP	Setting of the DIAL knob's tuning speed.	FINE/COARSE	FINE	080 SQL/RF GAIN	Selects the configuration of the front panel's SQL/RF knob.	RF-GAIN/SQL	1
036 DIG DISP	Defines the displayed frequency offset during DIG (USER-L or USER-U) mode operation.	-3000 ~ +3000 Hz	0 Hz	081 SSB MIC GAIN	Adjusts the microphone gain level for the SSB mode.	0 ~ 100	50
037 DIG GAIN	Adjusts the audio input level from terminal equipment during DIG (Digital) mode operation.	0 ~ 100	50	082 SSB STEP	Selects the tuning steps for the SELECT knob on the SSB mode.	1kHz/2.5kHz/5kHz	2.5kHz
038 DIG MODE	Selects the mode and submode in the DIG (Digital) mode.	RTTY-L/RTTY-U/PSK31-L/RTTY-L/PSK31-U/USER-L/USER-U	RTTY-L	083 TONE FREQ	Setting of the CTCSS Tone Frequency.	50 Standard CTCSS tones	88.5 Hz
039 DIG SHIFT	Defines the carrier frequency offset during DIG (USER-L or USER-U) mode operation.	-3000 ~ +3000 Hz	0 Hz	084 TOT TIME	Select the Time-Out Timer time.	OFF/1 ~ 20 (min)	OFF
040 DIG VOX	Sets the gain of the VOX circuitry's input level for the DIG mode.	0 ~ 100	0	085 TUNER/ATAS	Selects the device (FC-30 or ATAS-100/120) to be controlled via the front panel's [A]/[TUNE] key.	OFF/ATAS/(HF)AT AS/(HF&50)ATAS/(ALL)/TUNER	OFF
041 DISP COLOR	Selects the illumination color for each operating status.	-	FIX 26	086 TX IF FILTER	Selects the Transmit IF filter.	CFIL/FIL1/FIL2	CFIL
042 DISP CONTRAST	Setting of the display contrast level.	1 ~ 13	5	087 VOX DELAY	Sets the "hang time" for the VOX circuitry.	100 ~ 3000 (ms)	500 ms
043 DISP INTENSITY	Setting of the display brightness level.	1 (Dim) ~ 3 (Bright)	3	088 VOX GAIN	Sets the gain of the VOX circuitry's input audio detector.	1 ~ 100	50
044 DISP MODE	Sets up the LCD Lamp mode.	OFF/AUTO1/AUTO 2/ON	AUTO2	089 XVTR A FREQ	Allows an arbitrary frequency to be set on the display to allow direct frequency readout during transceiver operation.	0.000, 00 ~ 9999.999, 00 (kHz)	-
045 DSP BPF WIDTH	Setting of the bandwidth for the DSP CW audio filter.	60/120/240 Hz	240 Hz	090 XVTR B FREQ			
				091 XVTR SEL	Enables/disables/selects the antenna port to be used for Transceiver operation.	OFF/FX/VTR AX VTR B	OFF

Yaesu FT-857D Quick Reference



1	Volume	9	DSP Menu
2	RF Gain	10	Fast / Hold for Power
3	Select Knob (Push to tune Mhz)	11	TX / Busy
4	Home	12	Change Band
5	Clar / IF Shift	13	VFO / Memory
6	FunctionMenu / Hold for Menu	14	LOCK
7	Menu Keys	15	Main Dial (select frequency or menu option)
8	Mode (LSB <> USB <> CW <> CWR <> AM <> FM <> DIG <> PKT <> LSB)	16	Main Display

Front Panel Menus

MFa	A/B	A=B	SPL	MFj	SPOT	BK	KEY
MFb	MW	SKIP	TAG	MFk	TUNE	DWN	UP
MFc	STO	RCL	PROC	MFi	NB	AGC	AGC SPD
MFd	RPT	REV	VOX	MFm	IPO	ATT	NAR
MFe	TON/ENC	---/DEC	TDCH	MFn	CFIL	FIL-1	FIL-2
MFf	ARTS	SRCH	PMS	MFo	PLY1	PLY2	PLY3
MFg	SCN	PRI	DW	MFp	DNR	DNF	DBF
MFh	SCOP	WID	STEP	MFq	UPRG1	UPRG2	UPRG3
MFi	MTR		DISP				

No Menu Item	Function	Available Values	Default	No Menu Item	Function	Available Values	Default
001 EXT MENU	Enables/Disables the extended Menu Mode.	ON/OFF	OFF	046 DSP HPF CUTOFF	Adjusts the low-cut characteristics of the DSP HPF filter.	100 ~ 1000 Hz	100 Hz
002 144MHz ARS	Activates/deactivates the Automatic Repeater Shift feature when operating on the 144 MHz band.	ON/OFF	1	047 DSP LPF CUTOFF	Adjusts the high-cut characteristics of the DSP LPF filter.	1000 ~ 6000 Hz	6000 Hz
003 430MHz ARS	Activates/deactivates the Automatic Repeater Shift feature when operating on the 430 MHz band.	ON/OFF	1	048 DSP MIC EQ	Sets the DSP microphone equalization pattern.	OFF/LPF/HPF/BOTH	OFF
004 AM&FM DIAL	Enabling/disabling the DIAL knob on the AM and FM modes.	ENABLE/DISABLE	DISABLE	049 DSP NR LEVEL	Setting of the degree of DSP Noise Reduction.	1 ~ 16	8
005 AM MIC GAIN	Adjusts the microphone gain level for the AM mode.	0 ~ 100	50	050 EMERGENCY	Enables Tx/Rx operation on the Alaska Emergency Channel, 5167.5 kHz.	ON/OFF	OFF
006 AM STEP	Selects the tuning steps for the SELECT knob on the AM mode.	2.5/5/10/12.5/25 kHz	1	051 FM MIC GAIN	Adjusts the microphone gain level for the FM mode.	0 ~ 100	50
007 APO TIME	Selects the Auto Power Off time (time before power goes off).	OFF/1h ~ 6h	OFF	052 FM STEP	Selects the tuning steps for the SELECT knob in the FM mode.	5/6.25/10/12.5/15/20/25/50 kHz	2
008 ARTS BEEP	Selects the ARTS beep mode.	OFF/RANGE/ALL	RANGE	053 HOME->VFO	Enables/disables the moving of HOME channel data to the VFO.	ON/OFF	ON
009 ARTS ID	Enables/disables the CW identifier during ARTS operation.	ON/OFF	OFF	054 LOCK MODE	Selects the operation of the front panel's LOCK key.	DIAL/FREQ/PANEL/L	DIAL
010 ARTS IDW	Stores your callsign into the CW identifier.	-	YAESU	055 MEM GROUP	Enables/disables the memory grouping feature.	ON/OFF	OFF
011 BEACON TEXT 1	Stores the message for the Beacon.	-	-	056 MEM TAG	Stores Alpha-Numeric "Tags" for the memory channels.	-	-
012 BEACON TIME	Selects the interval time (between message and message).	OFF/1 sec ~ 255sec	OFF	057 MEM/VFO DIAL MODE	Selects the function which is engaged when you press the SELECT knob.	CW SIDETONE, CW SPEED, MHz/MEM GRP, MIC GAIN, NB LEVEL, RF POWER, STEP	MHz/MEM GRP
013 BEEP TONE	Selects the beep frequency.	440/880/1760 Hz	880Hz	058 MIC SCAN	Enables/disables scanning access via the microphone's [UP]/[DWN] keys.	ON/OFF	ON
014 BEEP VOL	Selects the beep volume level.	0 ~ 100	50	059 MIC SEL	The choice of the equipment which connects to the MIC jack.	NOR/RMT/CAT	NOR
015 CAR LSB R	Sets the Rx Carrier Point for LSB.	-300 ~ +300 Hz	0 Hz	060 MTR ARX SEL	Selects the analog meter display configuration while the transceiver is receiving.	SIG, CTR, VLT, N/A, FS, OFF	SIG
016 CAR LSB T	Sets the Tx Carrier Point for LSB.	-300 ~ +300 Hz	0 Hz	061 MTR ATX SEL	Selects the analog meter display configuration while the transceiver is transmitting.	PWR, ALC, MOD, SWR, VLT, N/A, OFF	PWR
017 CAR USB R	Sets the Rx Carrier Point for USB.	-300 ~ +300 Hz	0 Hz	062 MTR PEAK HOLD	Enabling/disabling of the "peak hold" function of the meter.	ON/OFF	ON
018 CAR USB T	Sets the Tx Carrier Point for USB.	-300 ~ +300 Hz	0 Hz	063 NB LEVEL	Setting of the blanking level for the IF Noise Blanker.	0 ~ 100	50
019 CAT RATE	Sets the transceiver's circuitry for the CAT baud rate to be used.	4800 bps/9600 bps/38400 bps	4800bps	064 OP FILTER 1	Not available at this time.	-	-
020 CAT/LIN/TUN	Selects the device which is connected to the CAT/LINEAR jack on the rear panel.	CAT/LINEAR/TUNER	CAT	065 PGA	Programming the [A] key (in the Operating Function Row "q" (MFq)) function.	All Multi Function, All Menu Item, MONI, Q, SPL, TCALL, ATC and USER.	MONI
021 CLAR DIAL SEL	Defines the "control" knob to be used for setting of the clarifier offset frequency.	SEL, MAIN	SEL	066 PGB	Programming the [B] key (in the Operating Function Row "q" (MFq)) function.		Q, SPL
022 CW AUTO MODE	Selects whether the KEY jack shall be "Enabled" or "Disabled" while using the SSB/FM modes.	ON/OFF	OFF	067 PGC	Programming the [C] key (in the Operating Function Row "q" (MFq)) function.		ATC
023 CW BFO	Sets the CW carrier oscillator injection side on the CW mode.	USB/LSB/AUTO	USB	068 PGACC	Programming the optional MH-59A8J microphone's [ACC] button assignment.		MONI
024 CW DELAY	Sets the receiver recovery time during pre- or VOX CW semi-break-in operation.	FULL/30 ~ 3000 msec	250 msec	069 PGP1	Programming the optional MH-59A8J microphone's [P1] button assignment.		Q, SPL
025 CW KEY REV	Sets the keyer paddle's wiring configuration.	NORMAL/REVERSE	NORMAL	070 PGP2	Programming the optional MH-59A8J microphone's [P2] button assignment.		TCALL
026 CW PADDLE	Enables/disables CW keying by the microphone's [UP]/[DWN] keys.	ELEKEY/MCKEY	ELEKEY	071 PKT 1200	Adjusts the audio input level from the TNC during 1200 bps Packet operation.	0 ~ 100	50
027 CW PITCH	Setting of the pitch of the CW sidetone, BFO offset, and CW filter center frequencies.	400 ~ 800 Hz	700 Hz	072 PKT 9600	Adjusts the audio input level from the TNC during 9600 bps Packet operation.	0 ~ 100	50
028 CW QSK	Selects the time delay between when the PTT is keyed and the carrier is transmitted during QSK operation when using the internal keyer.	10/15/20/25/30 ms	10 ms	073 PKT RATE	Sets the transceiver's circuitry for the Packet baud rate to be used.	1200/9600 (bps)	1200 bps
029 CW SIDETONE	Setting of the CW sidetone volume level.	0 ~ 100	50	074 PROC LEVEL	Sets the compression level for the AF speech processor in the SSB/AM modes.	0 ~ 100	50
030 CW SPEED	Sets the sending speed for the built-in Electronic keyer.	4 ~ 60 wpm (1wpm/step)/20 ~ 300 cpm (5cpm/step)	12 wpm (60 cpm)	075 RF POWER SET	Setting of the maximum power level for the current band.	5 ~ 100 ~ 2 ~ 100 (UHF)	2
031 CW TRAINING	Sends random Morse Code five-character groups via the sidetone.	N, A, AN	N	076 RPT SHIFT	Sets the magnitude of the repeater shift.	0.00 ~ 99.99 (MHz)	2
032 CW WEIGHT	Sets the Dot/Dash ratio for the built-in electronic keyer.	1:2.5 ~ 1:4.5	01:03.00	077 SCAN MODE	Selects the desired Scan-Resume mode.	TIME/BUSY/STOP	TIME
033 DCS CODE	Setting of the DCS code.	104 Standard DCS codes	23	078 SCAN RESUME	Sets the delay time for scanning resumption.	1 ~ 10 (sec)	5 sec
034 DCS INV	Selects "Normal" or "Inverted" DCS coding.	Tn-Rn/Tn-Riv/Tiv-Rn/Tiv-Riv	Tn-Rn	079 SPLIT TONE	Enables/disables split CTCSS/DCS coding.	ON/OFF	OFF
035 DIAL STEP	Setting of the DIAL knob's tuning speed.	FINE/COARSE	FINE	080 SQL/RF GAIN	Selects the configuration of the front panel's SQL/RF knob.	RF-GAIN/SQL	1
036 DIG DISP	Defines the displayed frequency offset during DIG (USER-L or USER-U) mode operation.	-3000 ~ +3000 Hz	0 Hz	081 SSB MIC GAIN	Adjusts the microphone gain level for the SSB mode.	0 ~ 100	50
037 DIG GAIN	Adjusts the audio input level from terminal equipment during DIG (Digital) mode operation.	0 ~ 100	50	082 SSB STEP	Selects the tuning steps for the SELECT knob on the SSB mode.	1kHz/2.5kHz/5kHz	2.5kHz
038 DIG MODE	Selects the mode and subband in the DIG (Digital) mode.	RTTY-L/RTTY-U/PSK31-L/RTTY-U/PSK31-U/USER-L/USER-U	RTTY-L	083 TONE FREQ	Setting of the CTCSS Tone Frequency.	50 Standard CTCSS tones	88.5 Hz
039 DIG SHIFT	Defines the carrier frequency offset during DIG (USER-L or USER-U) mode operation.	-3000 ~ +3000 Hz	0 Hz	084 TOT TIME	Select the Time-Out Timer time.	OFF/1 ~ 20 (min)	OFF
040 DIG VOX	Sets the gain of the VOX circuitry's input level for the DIG mode.	0 ~ 100	0	085 TUNER/ATAS	Selects the device (FC-30 or ATAS-100/120) to be controlled via the front panel's [TUNE] key.	OFF/ATAS(HF)/ATAS(HF&50)/ATAS(ALL)/TUNER	OFF
041 DISP COLOR	Selects the illumination color for each operating status.	-	FIX 26	086 TX IF FILTER	Selects the Transmit IF filter.	CFIL/FIL1/FIL2	CFIL
042 DISP CONTRAST	Setting of the display contrast level.	1 ~ 13	5	087 VOX DELAY	Sets the "hang time" for the VOX circuitry.	100 ~ 3000 (ms)	500 ms
043 DISP INTENSITY	Setting of the display brightness level.	1 (Dim) ~ 3 (Bright)	3	088 VOX GAIN	Sets the gain of the VOX circuitry's input audio detector.	1 ~ 100	50
044 DISP MODE	Sets up the LCD Lamp mode.	OFF/AUTO/AUTO2/ON	AUTO2	089 XVTR A FREQ	Allows an arbitrary frequency to be set on the display, to allow direct frequency readout during transverter operation.	0.000 00 ~ 9999.999 00 (kHz)	-
045 DSP BPF WIDTH	Setting of the bandwidth for the DSP CW audio filter.	60/120/240 Hz	240 Hz	090 XVTR B FREQ	Allows an arbitrary frequency to be set on the display, to allow direct frequency readout during transverter operation.	0.000 00 ~ 9999.999 00 (kHz)	-
091 XVTR SEL	Enables/disables/selects the antenna port to be used for Transverter operation.	OFF/VTR AX/VTR B	OFF				